



Dairy Cooling Solutions

A Division of Eurotec Limited

MILK COOLING TANK with DIRECT EXPANSION

LEM/DX 18000 - 32000 l

LS/DX 10230 - 30000 l



Characteristics

- ›Horizontal tank with laser welded efficient evaporator
- ›Constructed of stainless steel 18/10 – AISI 304
- ›Chassis with solid leg construction and adjustable feet (standard 2 % slope)
- ›Flat manhole and swivelling cover with rubber seal
- ›Detachable air vent
- ›2 milk inlet openings, 80 mm (1 in the manhole cover, 1 at the back)
- ›Tank outlet 80 mm, self washing outlet with butterfly valve Ø 80 mm and road tanker connection NW 50 or 65 (other milk road tanker connections on request, e.g. SMS, DS, RJT or IDF)
- ›"Self washing outlet" easy to upgrade (no welding). Increased second hand value.
- ›All models have a stainless steel ladder
- ›Tank conform EN 13732 standard - KEYMARK label

Tank control and display

- ›All electrical tank components 1 ~ 230V – 50Hz (other voltages / frequencies on request)
- ›Milk temperature control with operating unit iControl
- ›Deep cooling (1.9 °C)
- ›Two adjustable set points (3.2 °C and 4.5 °C)
- ›Full automatic logging of cooling, agitation, cleaning and possible errors

Cooling and agitation

- ›Thanks to the free evaporation and proper mixing of the milk the heat exchange is optimal.
- ›A high cooling capacity is guaranteed
- ›The number of agitator motors depends on the volume of the tank (see table tank dimensions)
- ›Cooling pipes pre-mounted with electronic injection ECO-TRONIC (tanks ≥ 17650 l)

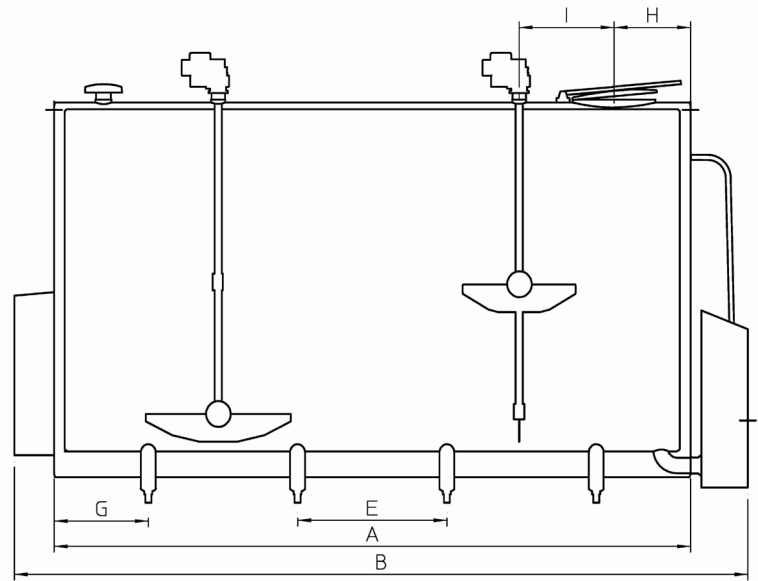
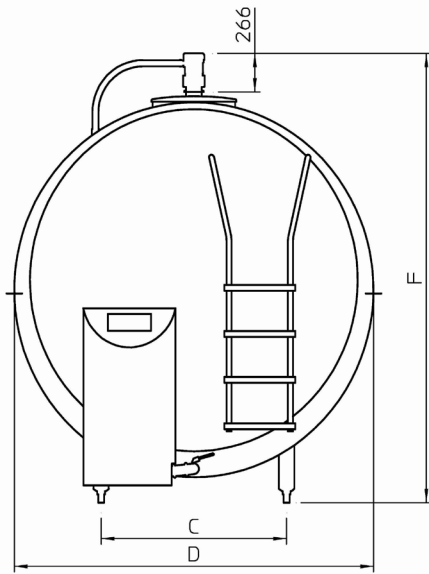


Cleaning

- ›2 automatic dosing pumps for detergents
- ›Automatic water level control for optimal filling and low water usage
- ›High pressure dynamic Packo-ROTOJET system with spray balls in agitator blade(s)
- ›Vertically mounted stainless steel cleaning pump, no risk of freezing
- ›Pump power depends on number of agitators:
 - 1 agitator: 1.1 kW, 1 ~ 230V 50Hz
 - 2 & 3 agitators: 1.5 kW, 1 ~ 230V 50Hz

Available options

- ›Warning messages sent by SMS
- ›Timer for manual cooling and cleaning
- ›ECO-WASH cleaning
- ›Tank adapted to AMS milking
- ›OCULUS tank guard to monitor all tank functions
- ›PACAP digital volume indication with LED display
- ›Electronic injection ECO-TRONIC (tanks <17650 l)
- ›Bottom filling
- ›Flowmeter alkaline detergent



LEM/DX Dimensions

Model	Max. cap. litres	A mm	B* mm	C mm	D mm	E mm	F mm	G mm	H mm	I mm	Agitators number	Legs numbers	Weight Kg
18000	18578	6324	6870	1050	2133	845	2603-2723	627	432	1193	2	14	1975
22000	22522	7619	8183	1050	2133	845	2603-2723	430	432	892,5	3	18	2245
25500	26450	9179	9743	1050	2133	845	2603-2723	787	432	1193	3	20	2550
31600	32220	11084	11648	1050	2133	845	2603-2723	472	432	1473	3	26	3200

*With ECO-WASH: B + 190 mm.

Available in 4 & 6 Milkings and AMS milking.

Each agitator incorporates 2 rotojet spray balls.

LS/DX Dimensions

Model	Max. cap. litres	A mm	B* mm	C mm	D mm	E mm	F mm	G mm	H mm	I mm	Agitators number	Legs number	Weight Kg
10250	10507	3659	4205	1050	2133	845	2603-2723	562	445	577	2	8	1196
13100	13718	3473	3847	1050	2500	820	2970-3090	420,5	406	1230	1	8	1325
14500	14820	3636	4182	1050	2500	714	2970-3090	391	420,5	1398	1	10	1421
15500	15879	3812	4358	1050	2500	804	2970-3090	299	420,5	585,5	2	10	1562
17650	18055	4421	4967	1050	2500	714	2970-3090	427	420,5	694	2	12	1680
21500	22001	5386	5932	1050	2500	750	2970-3090	443	420,5	973,5	2	14	2078
25500	26025	6376	6752	1050	2500	750	2970-3090	563	420,5	1665	2	16	2453
30450	31064	7676	8222	1050	2500	813	2970-3090	503	420,5	878	3	18	2925

*With ECO-WASH: B + 190 mm.

Available in 6 Milkings and AMS milking.

Each agitator incorporates 2 rotojet spray balls.

Subject to modifications. The photographs and descriptions provided are intended as a guide and may not always exactly match the items supplied.